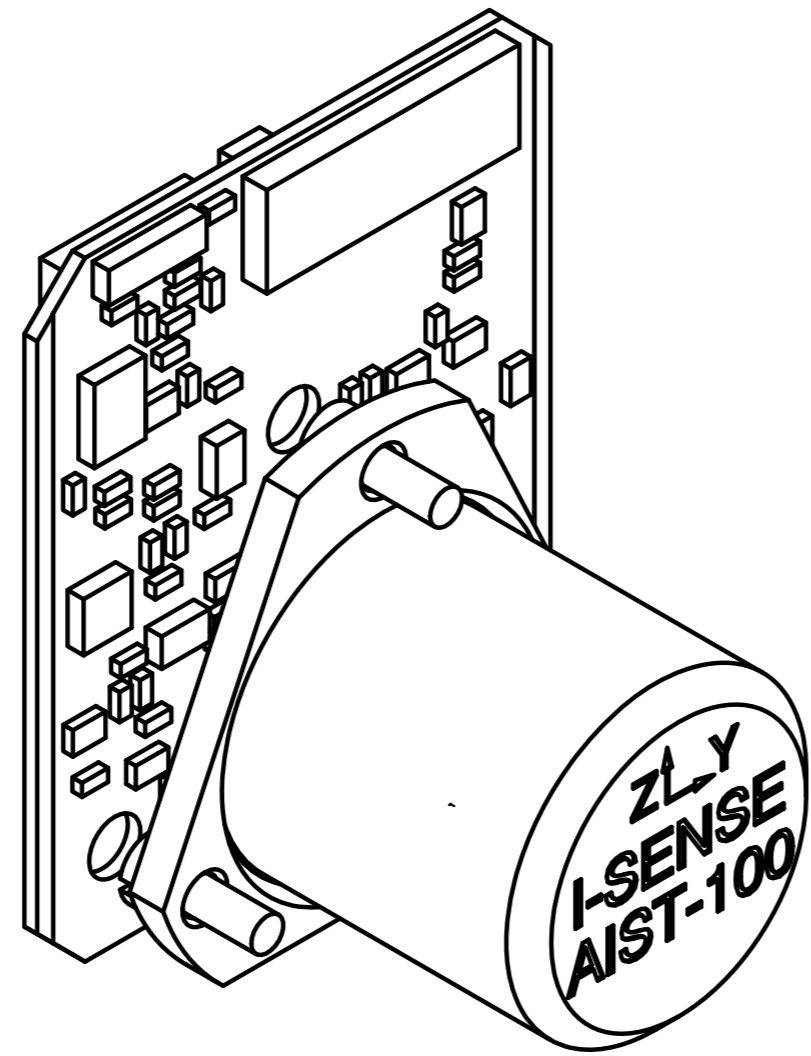
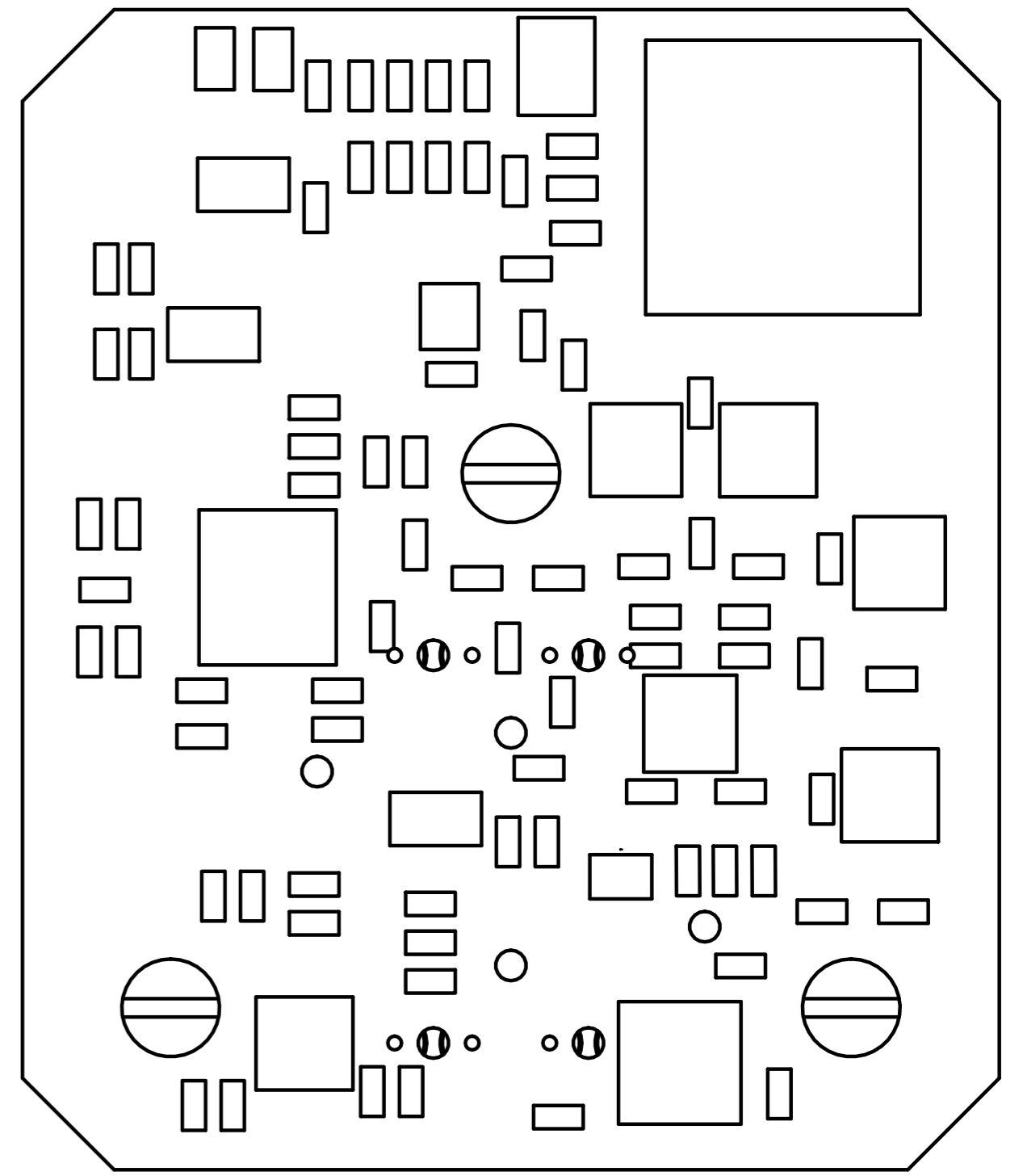
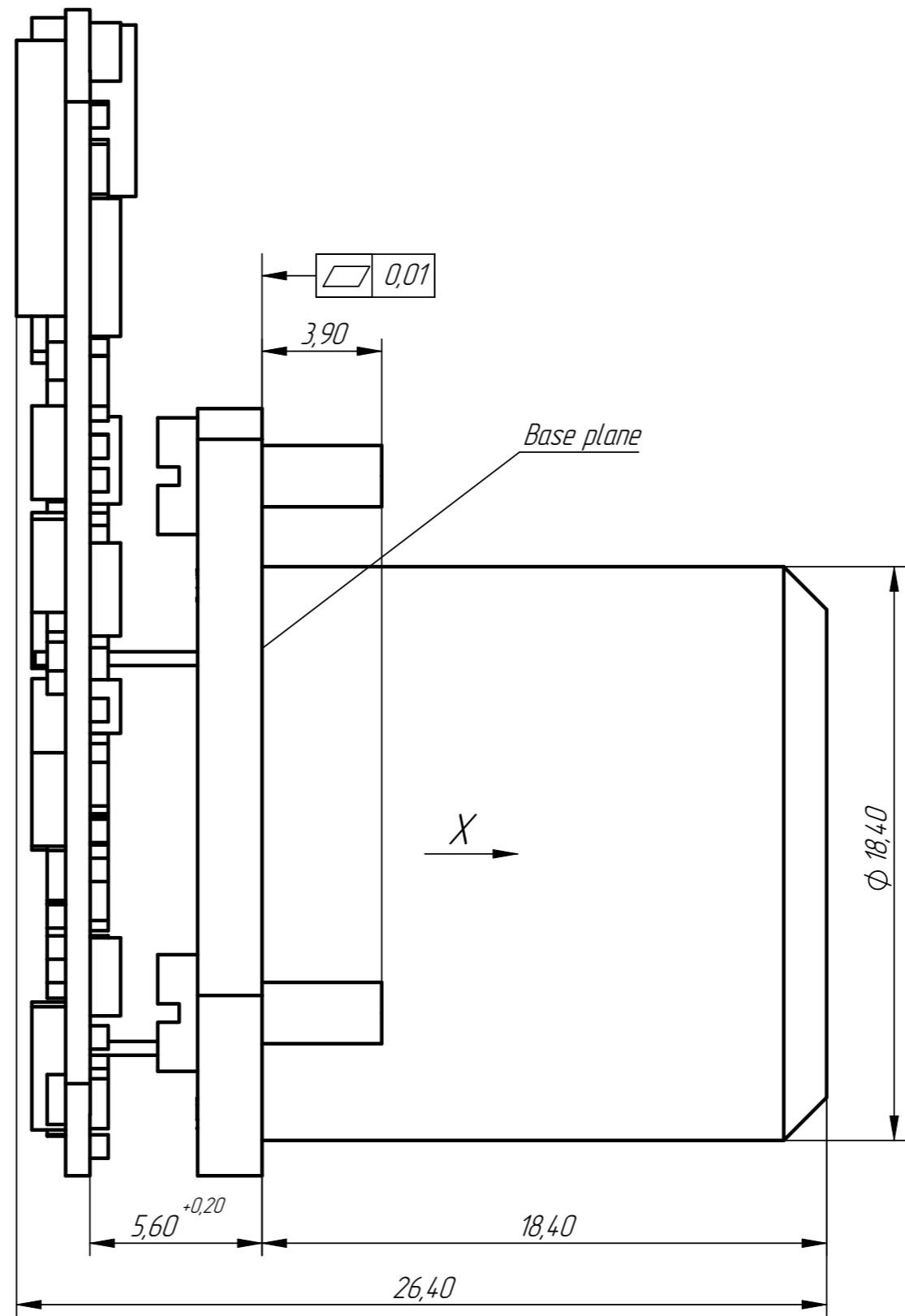
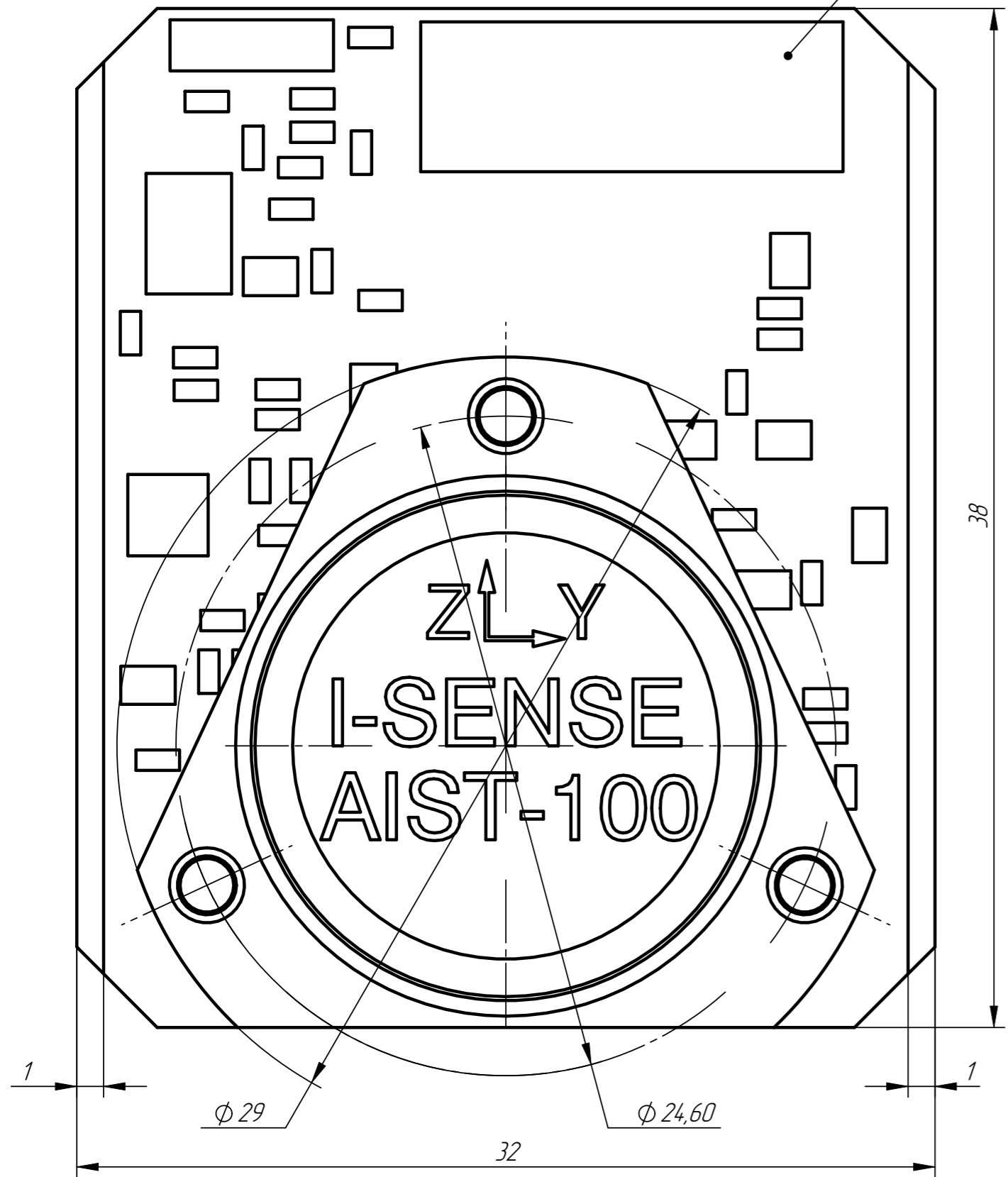


Connector Molex 53780-0819



UNLESS OTHERWISE SPECIFIED: DIMENSIONS ARE IN MILLIMETERS		FINISH:		DEBUR AND BREAK SHARP EDGES		DO NOT SCALE DRAWING		REVISION	
SURFACE FINISH:									
TOLERANCES:									
LINEAR:									
ANGULAR:									
DRAWN		NAME	SIGNATURE	DATE			TITLE:		
CHK'D							<i>AIST-100</i>		
APP'V'D									
MFG									
Q.A.									
		MATERIAL:				DWG. NO.		A2	
		WEIGHT:				SCALE:1:1		SHEET 1 OF 1	