

A

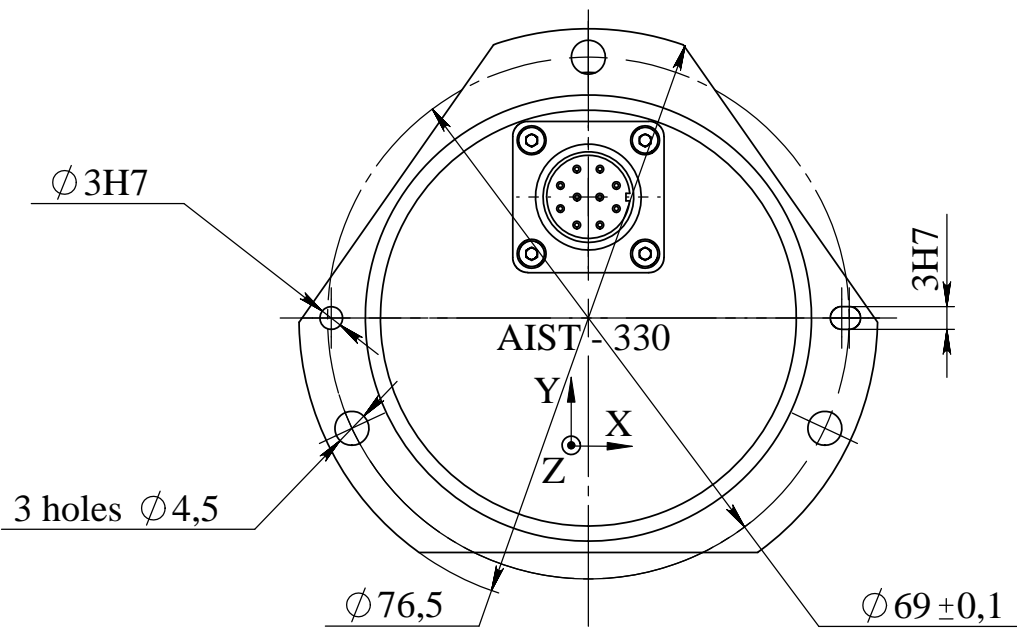
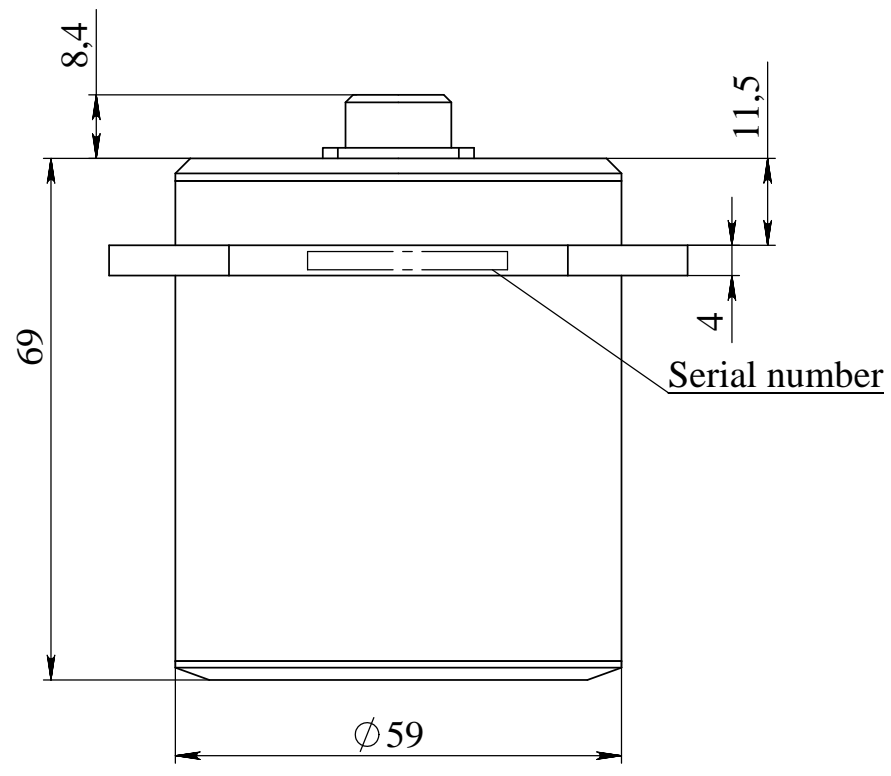
B

C

D

E

F



Dimensions are in millimeters.

UNLESS OTHERWISE SPECIFIED: DIMENSIONS ARE IN MILLIMETERS SURFACE FINISH: TOLERANCES: LINEAR: ANGULAR:				FINISH:		DEBUR AND BREAK SHARP EDGES		DO NOT SCALE DRAWING		REVISION	
								TITLE: AIST - 330			
DRAWN				SIGNATURE		DATE					
CHK'D											
APPV'D											
MFG											
Q.A						MATERIAL:		DWG NO.			
								A4			
						WEIGHT: <490g		SCALE: 1:1		SHEET 1 OF 1	